

Pelican Hook

Model PH20

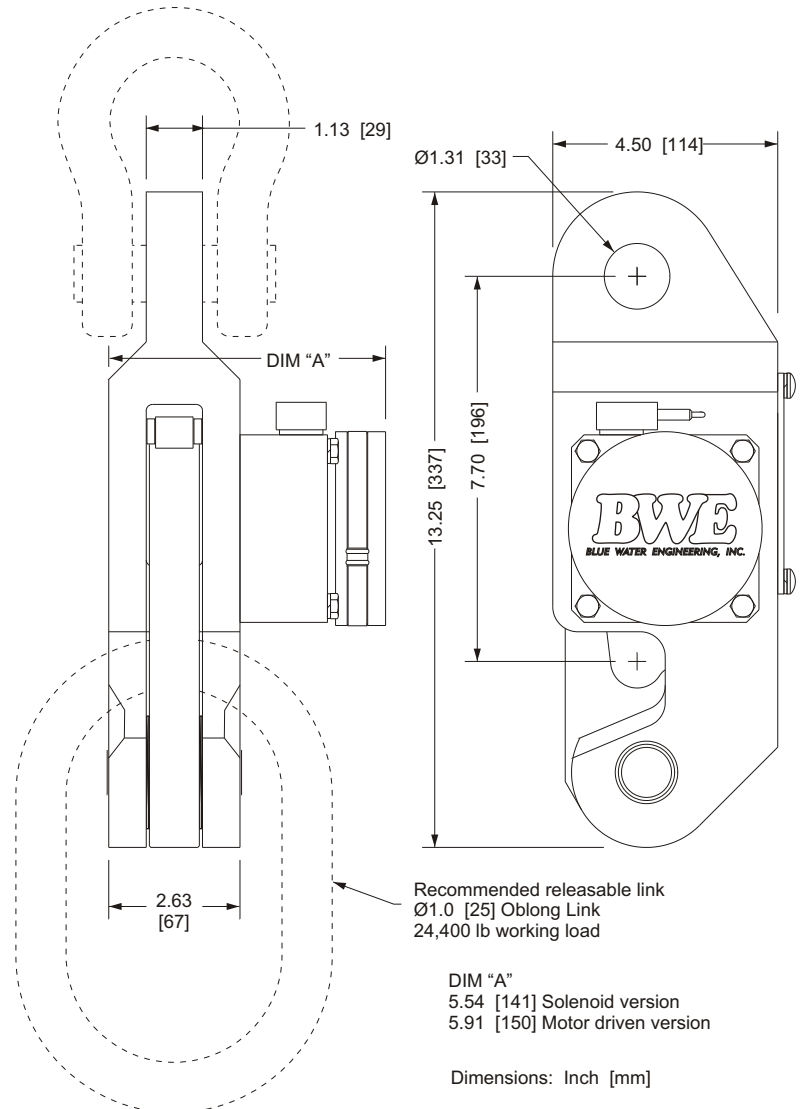
The Model PH20 Pelican Hook is an electro-mechanical release device with a working and release capability of 20,000 lb, and a break strength in excess of 100,000 lb. The pelican hook is often used when there is a need to lift objects from the deck of a ship and then coordinate the object's release into the water with ship or wave motion, or the dynamics of the package being released. Other customers use the hooks to release objects after being lowered to the sea floor.



Combining the time proven features of a pelican hook with a high strength latching mechanism, the unit provides secure and positive locking. Release is activated upon receiving 24 vDC power from the user or from an external source.

FEATURES

- 20,000 lb max working and release load
- 10,000 ft depth capability
- 18 to 30 vDC, other voltages available
- All stainless construction
- Oil-filled and pressure compensated electrical enclosure



Two models are available:

Model PH20-S
Solenoid version
Essentially instantaneous release
Approximately 3.5 amps @ 24 volts DC

Model PH20-M
Motor driven version
Release within 5 seconds upon receiving power
Less than 500mA @ 24 volts DC

Recommended releasable link
Ø1.0 [25] Oblong Link
24,400 lb working load

DIM "A"
5.54 [141] Solenoid version
5.91 [150] Motor driven version

Dimensions: Inch [mm]



271-A North Otto St. Port Townsend, WA 98368
Tel: (360) 379-0754 Fax: (360) 379-4703
Email: sales@bluewaterengineering.com
Website: www.bluewaterengineering.com

Specifications subject to change without notice.
© 2006 Blue Water Engineering, Inc.